

Barrier Gate



Boom Rest Stand



Control Panel (OPEN / STOP/CLOSE)
& 2 nos Remote with Built in receiver

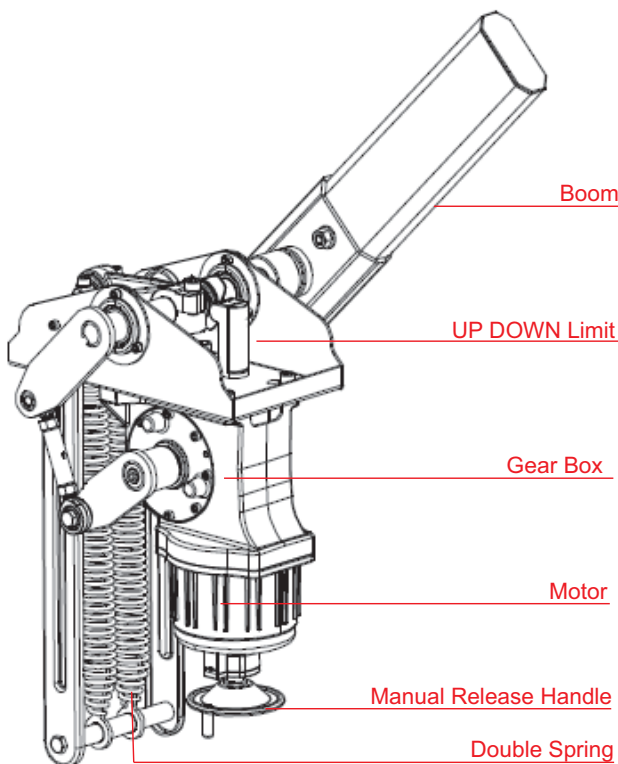
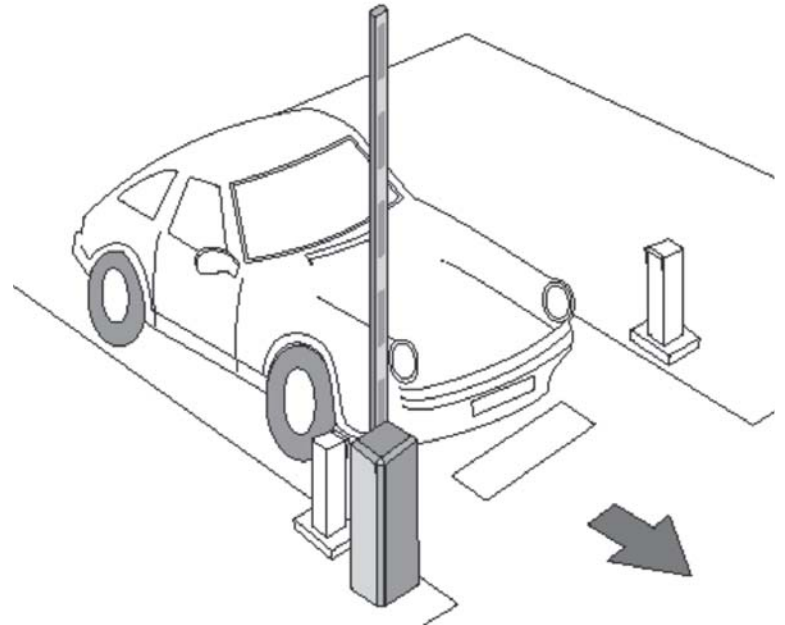


Applications

For Signalling, Safety & Parking control at Railways, Airports, ports, Roads, Parks etc.

Features

Intelligent Control Panel / Low Noise / Low Power / Geared Motor / Remote control / Heavy Duty Double Spring / Safe Manual Operation on Power Fail / Outdoor use



	SP BB - 801
Boom Size	< 6 Mt
Frequency	50Hz
Net Weight	60 Kg
Open Time	1 ~ 6 Sec
	Geared (Electro Mechanical)
Voltage	220v ± 10%
Controller	Microprocessor Based
Motor Load	120 W
	Water Proof
Other Accessories	Remote Controller x 2 no.s & Clutch Keys for Manual Operation
Aluminium Boom	Upto 6 meter Boom Aluminium Covered With Wood Inside With Support
Interface	RS 485
Boom Motion Control	By Balanced Spring system
Boom Movement	Left / right side (inter changeable)
Remote Distance	< 30 Mt
Body Color	Yellow / Orange / Grey
Boom Color	White With RED Radium Strips
Optional	RS 485 to RS 232 Convertor
Optional	Photo Cell