

# 2MP WDR Starlight AF Network IR Bullet Camera

IPC262ER9-DUZ



## Key Features

### Optics

- Starlight illumination
- Up to 120dB WDR (Wide Dynamic Range)
- Smart IR, up to 100m (328ft) IR distance
- Optical glass window with higher light transmittance
- IR anti-reflection window to increase the infrared transmittance
- Day/night functionality

### Compression

- Ultra 265, H.265, H.264, MJPEG
- Embedded smart algorithm
- Triple streams
- ROI (Region of Interest)
- 9:16 corridor mode
- Customized OSD

### Network

- ONVIF Conformance

### Structure

- Support PoE power supply
- Wide temperature range: -40°C ~ 60°C (-40°F ~ 140°F)

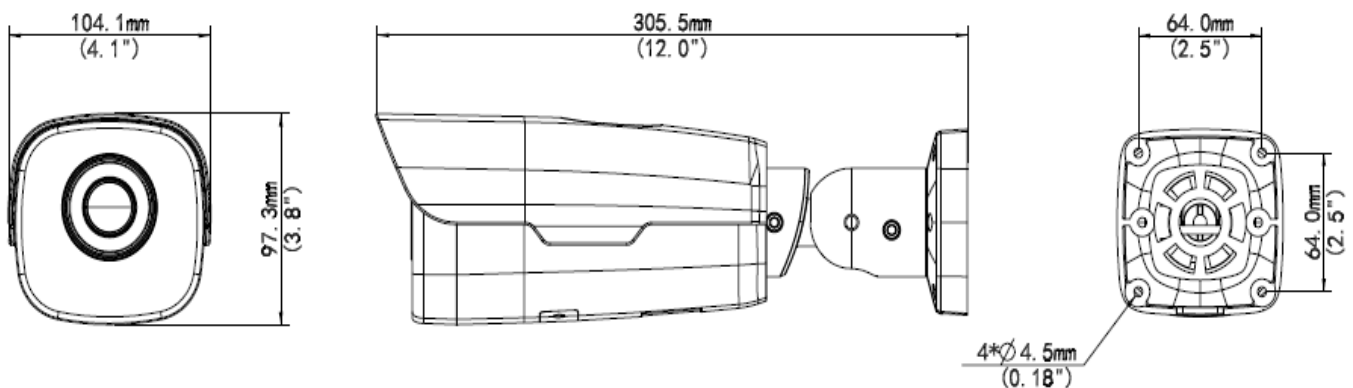
- Wide voltage range of  $\pm 25\%$
- IP67
- 3-Axis

## Specifications

IPC262ER9-DUZ																
<b>Camera</b>																
Sensor	1/2.8", 2.0 megapixel, progressive scan, CMOS															
Lens	2.8 ~ 12mm@F1.4; P-Iris, AF automatic focusing and motorized zoom lens															
DORI Distance	<table border="1"> <thead> <tr> <th>Lens (mm)</th> <th>Detect (m)</th> <th>Observe (m)</th> <th>Recognize (m)</th> <th>Identify (m)</th> </tr> </thead> <tbody> <tr> <td>2.8</td> <td>43.4</td> <td>17.4</td> <td>8.7</td> <td>4.3</td> </tr> <tr> <td>12</td> <td>186.2</td> <td>74.5</td> <td>37.2</td> <td>18.6</td> </tr> </tbody> </table>	Lens (mm)	Detect (m)	Observe (m)	Recognize (m)	Identify (m)	2.8	43.4	17.4	8.7	4.3	12	186.2	74.5	37.2	18.6
	Lens (mm)	Detect (m)	Observe (m)	Recognize (m)	Identify (m)											
	2.8	43.4	17.4	8.7	4.3											
12	186.2	74.5	37.2	18.6												
Angle of View (H)	105° ~ 33°															
Angle of View (V)	58.4° ~ 14.9°															
Angle of View (O)	136.5° ~ 40.6°															
Adjustment angle	<table border="1"> <tr> <td>Pan: 0° ~ 360°</td> <td>Tilt: 0° ~ 90°</td> <td>Rotate: 0° ~ 360°</td> </tr> </table>	Pan: 0° ~ 360°	Tilt: 0° ~ 90°	Rotate: 0° ~ 360°												
Pan: 0° ~ 360°	Tilt: 0° ~ 90°	Rotate: 0° ~ 360°														
Shutter	Auto/Manual, 1 ~ 1/100000s															
Minimum Illumination	Colour: 0.001Lux (F1.4, AGC ON) 0Lux with IR															
Day/Night	IR-cut filter with auto switch (ICR)															
Digital noise reduction	2D/3D DNR															
S/N	>52dB															
IR Range	Smart-IR, up to 100m (328ft) IR range															
Defog	Digital Defog															
WDR	120dB															
<b>Video</b>																
Video Compression	Ultra 265, H.265, H.264, MJPEG															
H.264 code profile	Baseline profile, Main Profile, High Profile															
Frame Rate	Main Stream: 2MP (1920*1080), Max 30fps; Sub Stream: 2MP (1920*1080), Max 30fps; Third Stream: D1 (720*576), Max 30fps															
9:16 Corridor Mode	Supported															
HLC	Supported															
BLC	Supported															
OSD	Up to 8 OSDs															
Privacy Mask	Up to 8 areas															
ROI	Up to 8 areas															
Motion Detection	Up to 4 areas															
<b>Smart</b>																
Behavior Detection	Intrusion, cross line, motion detection															
Intrusion	Enter and loiter in a pre-defined virtual region															
cross line	Cross a pre-defined virtual line															
motion detection	Moving within a pre-defined virtual region															
Recognition	Face detection, Audio detection															

Intelligent Identification	Defocus, Scene Change, Object Left, Object Moving
Statistical Analysis	People counting
General Function	Watermark, IP Address Filtering, Tampering Alarm, Alarm input, Alarm output, Access Policy, ARP Protection, RTSP Authentication, User Authentication
<b>Audio</b>	
Audio Compression	G.711
Two-way audio	Supported
Suppression	Supported
Sampling Rate	8KHZ
<b>Storage</b>	
Edge Storage	Micro SD, Up to 256GB
Network Storage	ANR
<b>Network</b>	
Protocols	IPv4, IGMP, ICMP, ARP, TCP, UDP, DHCP, PPPoE, RTP, RTSP, RTCP, DNS, DDNS, NTP, FTP, UPnP, HTTP, HTTPS, SMTP, 802.1x, SNMP, QoS
Compatible Integration	ONVIF (Profile S, Profile G, Profile T), API
<b>Interface</b>	
Audio I/O	Audio cable
	1 Input: impedance 35kΩ; amplitude 2V [p-p]
	1 Output: impedance 600Ω; amplitude 2V [p-p]
Alarm I/O	2/1
Serial Port	1 RS485
Network	1 RJ45 10M/100M Base-TX Ethernet
Video Output	1 BNC, impedance 75Ω; amplitude 1V [p-p]
<b>General</b>	
Power	DC 12V±25%, AC 24V±25%, PoE (IEEE 802.3at)
	Power consumption: 13.7W
Dimensions (L × W × H)	305.5 × 104.1 × 97.3mm (12.0" × 4.1" × 3.8")
Weight	1.65kg (3.6lb)
Working Environment	-40°C ~ 60°C (-40°F ~ 140°F), Humidity: ≤95% RH (non-condensing)
Ingress Protection	IP67
Reset Button	Supported

## Dimensions



**Zhejiang Uniview Technologies Co., Ltd.**

Building No.10, Wanlun Science Park, Jiangling Road 88, Binjiang District, Hangzhou, Zhejiang, China (310051)

Email: [overseasbusiness@uniview.com](mailto:overseasbusiness@uniview.com); [globalsupport@uniview.com](mailto:globalsupport@uniview.com)

<http://www.uniview.com>

©2019 Zhejiang Uniview Technologies Co., Ltd. All rights reserved.

\*Product specifications and availability are subject to change without notice.