

Vision

VDIX 60 Desktop security inspection system



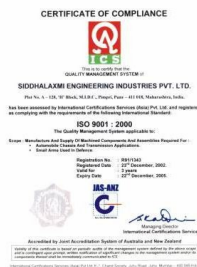
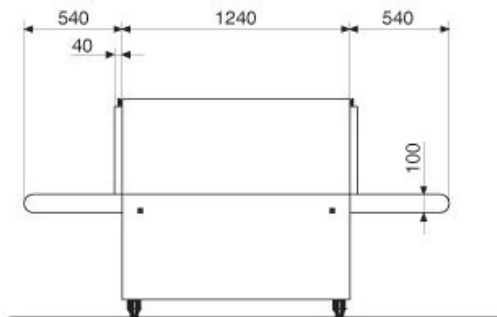
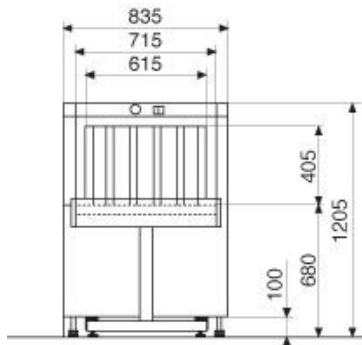
Vision VDIX 60 X-ray Security Inspections system designed equipment for small package. The system combines the advantage of highly efficient solid state detectors, digital image processing, computer graphics and smart algorithms to provide the user with reliable high resolution image superior image processing functions and system self diagnostic

VDIX 60 X-ray Security Inspections system features simple installation, operation convenient and easy maintenance

It is an ideal security inspection system to inspect small hand baggage in government institutions, post offices, mall centers, multiplex theatres, embassies conversion centers as well as schools.

Technical Specifications:

Weight	Approx.500 Kg
Dimensions	2320 (L) x 835 (W) x 1205 (H) mm
Tunnel size	615 (W) x 405 (H) mm
Resolution	0.1 mm of wire
Penetration	32 mm of steel
Dose per Inspection	Less than 1 mSv
Radiation leakage	Less than 2 mSv / h
Anode Voltage	140Kvp
Beam direction	From Top
Beam divergence	80°
Cooling / Duty cycle	Sealed oil cooling / 100%
X-ray sensor	L shaped photodiode array
Gray Level	4096 (12 Bit)
Conveyor speed	Approx. 0.2 m/s
Conveyor height / Max. load	680 mm / 100 Kg.
Conveyor Type	Belt conveyor
Conveyor running	Bi direction
Power consumption	0.8 KVA



ADON System and solution Pvt. Ltd.
D-202 , ATS Greens -1 , A-86 , Sector -50
Npoida , U.P, India.
Ph: 91-120 -4251364
Fax: 91-120- 4251366
Website : www.adonsystem.com