

PR-93



MOTORIZED GATE MOD. PR-93

The gate is made with materials giving final finish great resistance to the environmental agents and in particular the use of stainless steel guarantees a better resistance against wear and tear.

This standard product is made with AISI-304 stainless steel or painted carbon steel.

We suggest the use of AISI-316 stainless steel for installations in saline environments.

The gate is safe to use and we must also keep in mind that the edges of the structure are well rounded.

By pushing the gate when it is blocked it will open in the transiting direction leaving the passage free. The reset must be done manually.

The electronic part has a microprocessor that offers the possibility to change the settings from the console and it consists two cards, one card for management and the other for the power supply inside the structure.

The power supply cables come from below and they can be installed easily inside the structure through a panel.

The gate comes completely assembled.

SAIMA
GLOBAL ACCESS CONTROL

Sole Distributor for India

GANDHI

Automations Pvt Ltd

Corporate Office :

2nd Floor, Chawda Commercial Centre, Link Road, Malad (West), Mumbai - 400 064

Tel : (022) 6672 0200 / 6672 0300 (200 Lines)

Fax : (022) 6672 0201

Email : sales@geapl.co.in • Website : www.geapl.co.in

AHMEDABAD BRANCH :
306, Anand Mangal - 2,
Behind Omkar House,
C. G. Road, Navrangpura,
Ahmedabad - 380 009
Tel : 93273 01555

CHENNAI BRANCH :
8, Rams Apartment, 1st Floor,
Door No. New-68, (Old-141),
Eldams Road, Teynampet,
Chennai - 600 018
Tel : 93809 31777

LUCKNOW BRANCH :
1 / 213,
Vastu Khand,
Gomtinagar,
Lucknow - 226 010
Tel : 93055 67760

NEW DELHI BRANCH :
B-212, Plot No-2, R.G. Complex,
Motia Khan, D.B. Gupta Road,
Opp. Pahar Ganj Thana,
New Delhi-110 055
Tel : 93131 99044

PUNE BRANCH :
1, Samarth Prasad Apartment,
Plot No-5, Survey No-30/2,
Erandwana,
Pune - 411 004
Tel : 93245 30710

BANGALORE - 93435 09090
BHOPAL - 93292 94939

BHUBANESHWAR - 93385 69889
COCHIN - 93882 04774

GOA - 93731 37970
HYDERABAD - 93473 75737

KOLKATA - 93300 60855
RAIPUR - 93524 40068

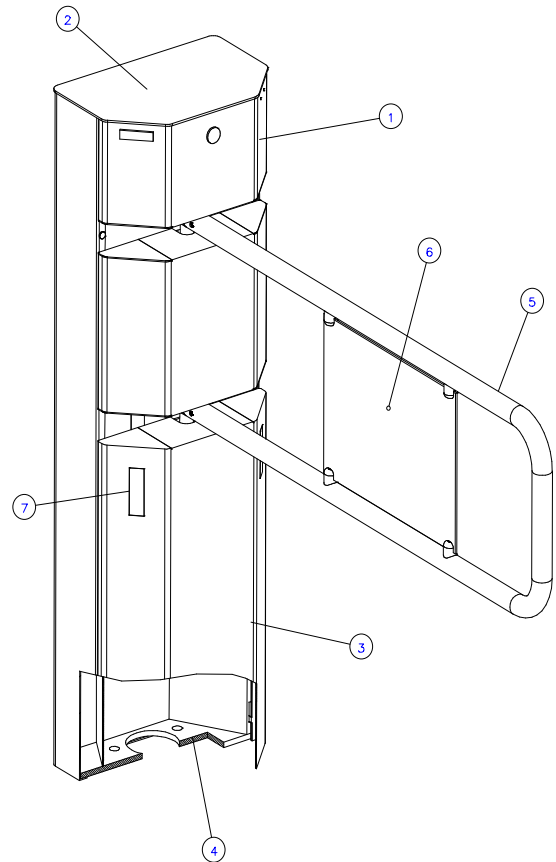
RANCHI - 93044 95570

CALL US ON TOLL FREE NUMBER - 1800 209 0200 (FROM ANYWHERE IN INDIA)

TECHNICAL DATA:

- Power supply: 220V 50 Hz. monophase.
- Tension : 24 Vcc.
- Motor with direct current 24V.
- Consumption: 20 W.
- Working Temperature: from -10° to +50°.
- Humidity: 90%.
- Power supply: 24V 2A.
- Weight: 30 Kg.
- Adjustable spring system for lowering the gate.
- Electronic control of the adjustable opening (speed and strength).

- 1- Metal structure in stainless steel AISI 304 or AISI 316 that can be either glazed or in painted carbon steel 20/ 10 thick, internally weld and supported
- 2- Cover either in stainless polished steel or painted carbon steel 30/10 thick, for the access to the whole mechanics totally removing by a joint gear closed with a key supplied in n.2 copies.
- 3- Door in stainless steel in painted carbon steel 15/10 thick, for the access to the power plant, closed by foldaway springs
- 4- Basement in galvanized steel 10 mm thick, weld to the structure by supporting and fixing to the ground with n. 3 holes for springs supplied with the machine.
- 5- Arm in stainless steel tube, with 30 cm external diameter, 20/10 thick.
- 6- Panel in transparent methacrylate 30/10 mm thick.
- 7- Photocells for arm opening



DIMENSIONS:

