

## TAS - PEDESTRIAN AUTOMATIC GATE (FLAP BARRIER)



### Product Description

The Pedestrian retractable barrier series type GSPR (General Systems Pedestrian Retractable) is designed to control pedestrian entering or exiting restricted areas, personal surveillance is recommended as the barrier can be breached.

The standard model has an aisle (lane) width of 520mm and the maximum of the lane can be 700mm. The construction consists of sheet metal housings that can be extended with intermediate parts to a user-defined line configuration corresponding to the needs, e.g. in case of a high throughput.

The aisle is blocked by means of a retractable triangular wing made of an acrylic glass wing. After an opening pulse the wing retracts into the housing, consequently the aisle is completely clear. It does immediately after passage or after an adjustable time-out.

The opening and closing times of the wings are from 0.8-1.5 seconds, depends on the user's requirements.

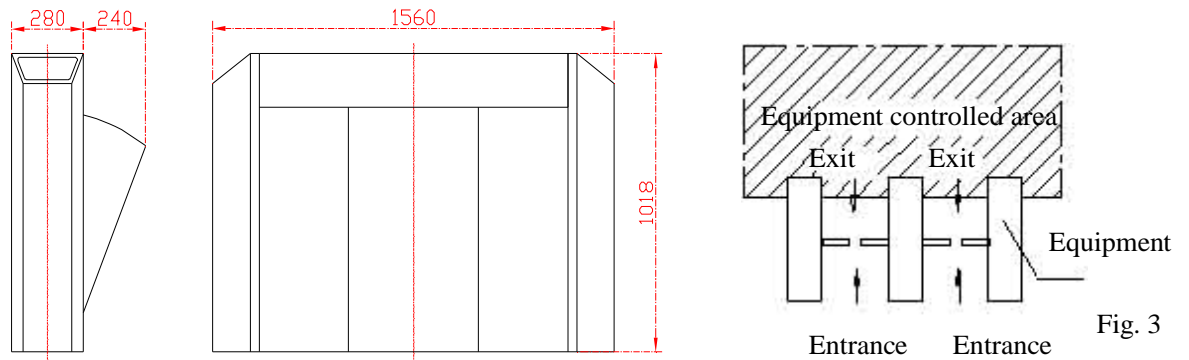
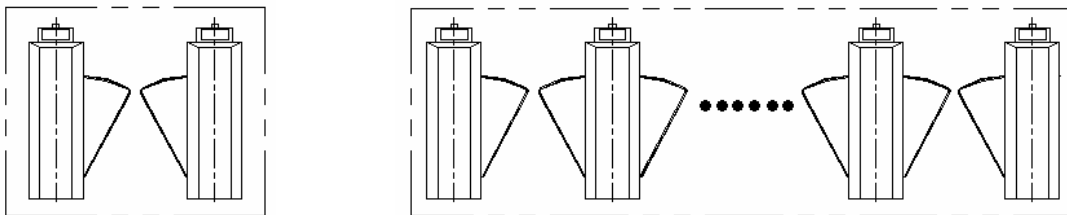


Fig. 3



### Housing

The construction consists of different segments bolted together. The middle segment contains the controller and the drive unit. The middle segment has two hinged locked doors providing access to the controller and drive mechanism.

Various optional access control devices (such as card readers, finger print readers etc.) can be accommodated on a behind an acrylic glass panel located at each end segment of the pedestrian barrier.

At each barrier end you will find a so called LED Gate direction indicator that displays the current operational state to the user. Green arrow for entry free, Red Cross for passage locked.

This design is for indoor installations and made of polished 304 stainless steel with protection class IP32.

### Description of the gate wings

The barrier is available with two wing types, that are either a composition of a 20mm acrylic glass. With the use of soft wings the risk of injury or damage is minimized, even in the event of a visitor running into the closed retractable barrier. Furthermore, a significant increase of the opening and closing time can be achieved, resulting in a much better tail-gating behavior to reach to the customer's advantage.

### Function

Passage in both directions electronically controlled. The pedestrian retractable barrier is available in Normally Open (N/O) or normally Closed (N/C) mode. In N/O the speed gate provides an always open walkway in rest position and will only close at unauthorized entry or tailgating attempts.

### Driving Mechanism

The wings are moved by mechanical arms. The arms are rotated by a torque shaft connected to the drive unit. The drive unit is a DC motor working in conjunction with a bi-directional encoder. A microprocessor control system guarantees the precise movement and positioning of the wings.

### Method of Operation

ON receiving a signal from the access control system, or push button, the wings open. If an unauthorized person tries to tailgate or attempts to enter from the opposite direction, the system detects the unauthorized passage and activates the in-built alarm system.

### Status Lights

90mm dia. LED display status lights flush mounted within the speed gates lid top face. Upon authorization a Green arrow will illuminate in the direction of passage authorization whilst in the opposite direction a Red Cross symbol will illuminate to indicate the unit is not available for use or is already in use.

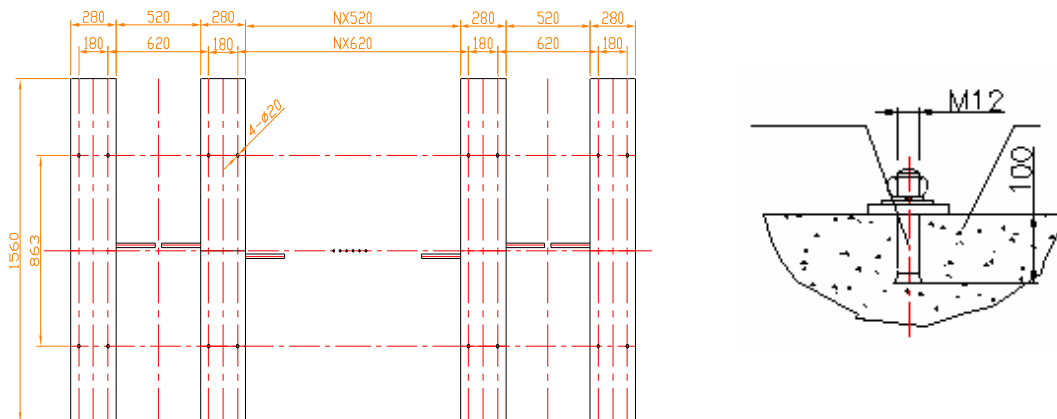
**Power Failure:** In the event of a power failure the wings will automatically open for exit freely.

**Fire Alarm:** Input facility is available for voltage free contact supplied by others to effect fail state.

**Interface:** Potential free contact provided by either card reader or pushbutton input. Card reader inhibit and reset outputs signals are available as standard.

**Users Include :** Government Retail/Finance/Telecommunications/Information Technology /Banking /Publishing/Leisure/Petrochemical/Education etc.

### Site Preparation of TAS Flap Barriers



Mktd By :

**TOSHI AUTOMATIC SYSTEMS**

WEB : [www.toshiautomatic.com](http://www.toshiautomatic.com)

Email : [info@toshiautomatic.com](mailto:info@toshiautomatic.com)