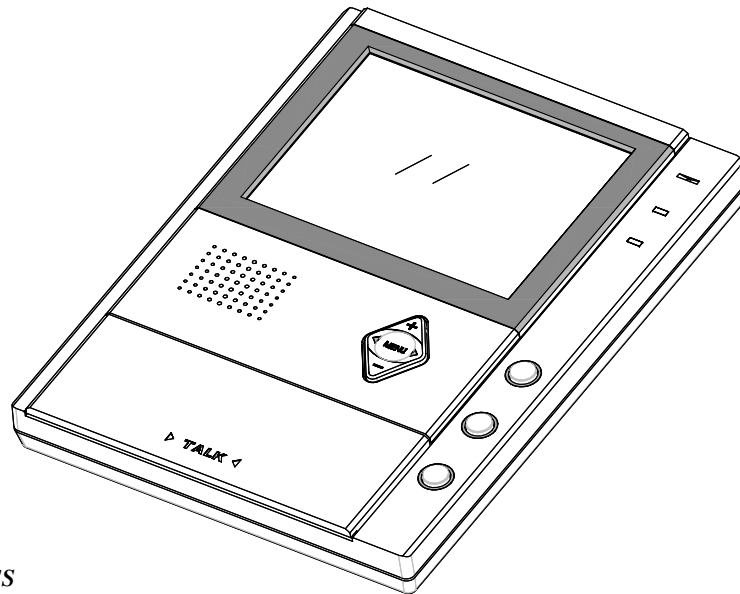


SINGLE FAMILY VIDEO INTERCOM SYSTEM

VT693 SERIES MONITOR

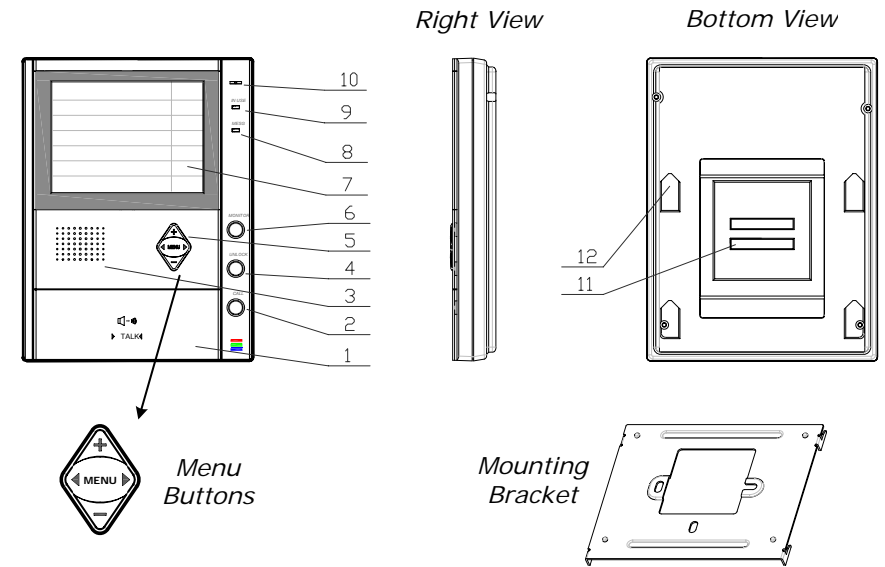


FEATURES

- *OPTIONAL TOUCH SCREEN AND COLOR MEMO FUNCTIONS*
- *15 CHORD TUNES SELECTABLE, INTERCOM FUNCTION*
- *EXPANDING UP TO 2-4 OUTDOOR STATIONS AND 5 MONITORS*

VT-ENG-693MT-V1-2293 080502

1. MONITOR PARTS AND FUNCTIONS



- | | |
|--|---|
| <ul style="list-style-type: none"> 1. TALK Button 2. INTERCOM Button 3. Speaker 4. UNLOCK Button 5. Menu Buttons
Up/+, Down/- (▲/▼ Buttons)
Left, Right (◀/▶ Buttons) | <ul style="list-style-type: none"> 6. MONITOR Button 7. 5 Inch TFT-LCD (Touch Screen) 8. LED for Message 9. LED for In-use 10. Microphone 11. Wiring Terminals 12. Mounting Bracket Hold |
|--|---|

Accessory fittings: Bracket (Two 4X25 screws are needed for fastening the Mounting Bracket), Special 4 core cables to connect with Monitor.

Installation steps: Installation height of Indoor Monitor, usually from 145 to 160CM, then fix the bracket on 86 Installation Box or wall surface directly, then install the Monitor.

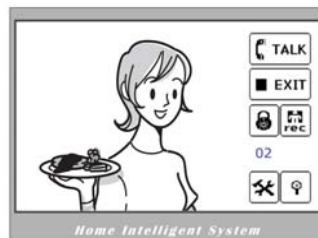
The design and specifications can be changed without notice to the user.

Right to interpret and copyright of this manual are preserved.

2. OPERATION INSTRUCTIONS

2.1. Basic functions

- 1) When visitor presses the Call Button on the Outdoor Station, the monitor rings, at the same time, the screen displays the visitor image, and Backlight LED will flash slowly in blue.
- 2) When press TALK Button, you can talk with the visitor for 90 seconds, and backlight LED turns to red. During the talk state, press TALK Button again to end the conversation. If nobody answers the phone, the screen will be turned off automatically after 30 seconds. If the system connects two or more Monitors, when any Monitor starts to talk, the other Monitors will be automatically shut off.
- 3) When Monitor is standby, press MONITOR Button, the screen will display the view of the Outdoor Station. During monitoring state, press TALK Button, you can talk with outside through the Outdoor Station, or press MONITOR Button again to exit. However, monitoring state is limited to 30 seconds and will be shut off automatically.
- 4) Press Unlock Button to release the Electronic Latch during monitoring or talking.
- 5) However, if your Monitor is a touch screen version (except for 693/C5), you can operate by touching the icons on the screen.

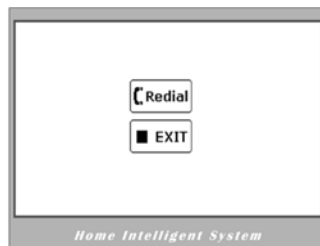


2.2. Operation for multi Outdoor Cameras (If installed)

- 1) All Monitors can monitor on each Outdoor Station in turn. Press MONITOR Button in standby, the image of the 1st Door Station is displayed firstly. Press MONITOR again, the image will switch to the next Outdoor Station etc. After monitoring on the last Outdoor station, press MONITOR Button or wait for 30 seconds to exit.
- 2) During monitoring, press TALK to talk, or press UNLOCK Button to open the door.
- 3) However, if your Monitor is a touch screen version (except for 693/C5), you can operate by touching the icons on the screen.

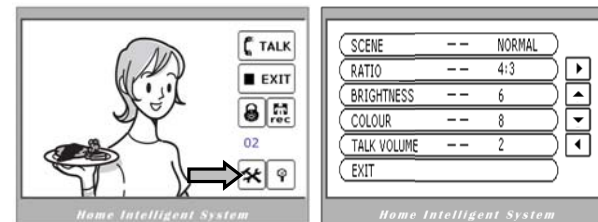
2.3. Intercom function (Available if multi Monitors are installed)

- 1) Intercom can be initiated by any Monitor. Press CALL Button on one Monitor, the other Monitors will ring, and press CALL Button again to redial. If TALK Button is pressed on any other Monitor, intercom talking is connected.
- 2) During intercom, press TALK Button to cancel, or it will exit automatically after 30 seconds.
- 3) Intercom function is prior to monitor function, but calling function is always the first.



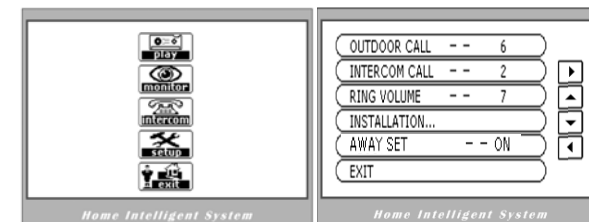
2.4. Image and volume adjust operation

- 1) During monitoring or talking, press any menu button the ADJUST MENU will be displayed.
- 2) To move to the last/next item, press ▲/▼ Button. The current item will be displayed in red color. To change the value of the current item, press ◀ / ▶ Button.
- 3) When the current item is EXIT, press ◀ / ▶ Button to exit; if no button was pressed within 4 seconds, the Menu will shut off automatically.
- 4) Note: Total 4 SCENE modes can be selected in sequence: NORMAL, USER, SOFT and BRIGHT. Whenever BRIGHTNESS or COLOUR is modified, SCENE item will be set to USER mode automatically. RATIO is fixed to 4:3.
- 5) However, in a touch screen Monitor, you can press bottom icons to show the menu. And adjust by touching the items and icons on the screen.



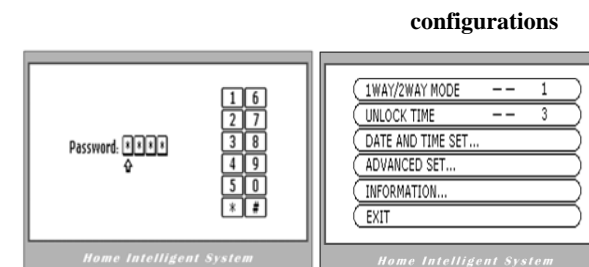
2.5. Basic Setup instructions

- 1) During standby state, press any menu button or touch the screen to display MAIN MENU, then select and enter SETUP MENU.
- 2) The OUTDOOR CALL and INTERCOM CALL item are for chord ring selection. Use ▶ to select next tune, and use ◀ to replay.
- 3) The RING VOLUME item is for ring volume adjust, use ▲/▼ to increase/decrease.



2.6. Installation

- 1) Follow the above steps to enter SETUP MENU, select INSTALLATION..., and then Password is asked.
- 2) Use ▲/▼ to increase / decrease the current digit, press ▶ to shift to the next digits in turn, until 4 numbers are finished. Note: the default password is 2008.
- 3) 1WAY/2WAY MODE item is for the installed Outdoor camera numbers, and 1, 2 should be set according to the 4.3 and 4.4 instructions.



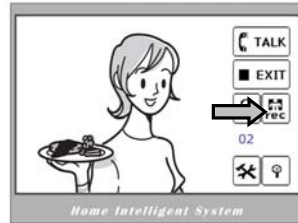
- 4) **UNLOCK TIME** item is to adjust unlock timing, according to different locks.
- 5) **INFORMATION** item will display hardware/software version, and power supply voltage.
Press **▶** to execute **RESTORE FACTORY SET** to the Monitor, or press **◀** to exit.

2.7. Operation for Color Memo (Available only for Color Memo model)

Note: Color Memo can only be achieved through Touch screen operation; the picture can be recorded both manually and automatically; and the oldest one will be replaced if the memory is full. The date and time will be lost after the Monitor is power-off.

1) Manual Record

When the screen is turned on, in monitoring or talking state, press the **REC** icon to save current image.



2) Automatic Record

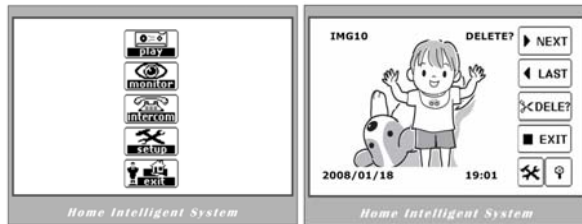
If **ABSENT** mode is set (see as below) in the Monitor, when Door Station calls, a picture is automatically saved after 2 seconds. If nobody answers the call, the Message LED will be lighted.

3) ABSENT Mode

Follow 2.5 instructions to enter **SETUP MENU**, then select **AWAY SET**, use **▶** to toggle to the **ABSENT(ON)** mode, and **IN-USE** LED will be lighted in **ABSENT** mode.

4) Playback

During standby, touch the screen to launch **MAIN MENU**, then press **PLAY** icon, the latest picture will be showed. Press **NEXT/LAST** icons to view pictures forward or backward. During the playback, press **EXIT** icon will exit. If no key was pressed within 40 seconds, the screen will be closed.

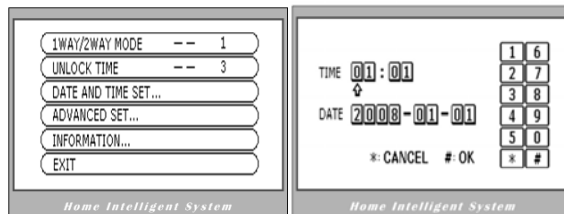


5) Delete picture

During playback, press **DELE** icon, a tip 'DELETE?' will be showed on the upper right of the screen, press **DELE** icon again to confirm, the current one will be deleted. However, you can press **NEXT/LAST** icons to cancel if you don't want to delete.

6) Date and time setting

Follow 2.6 instructions to enter **INSTALLATIONS...**, select **DATE AND TIME SET.** use the touch screen keypad to input numbers.



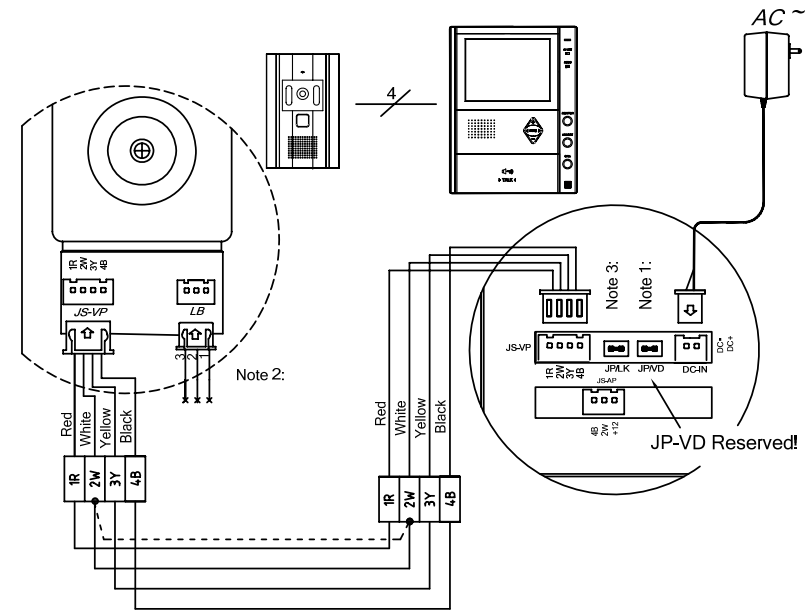
4. SYSTEM WIRING

4.1 Terminals and descriptions as below:

- **1R** Power positive. +12V present when Outdoor Station calling or being monitored.
- **2W** Power negative (GND)
- **3Y** Image signal (Video signal)
- **4B** Talk and control signal (Audio signal)

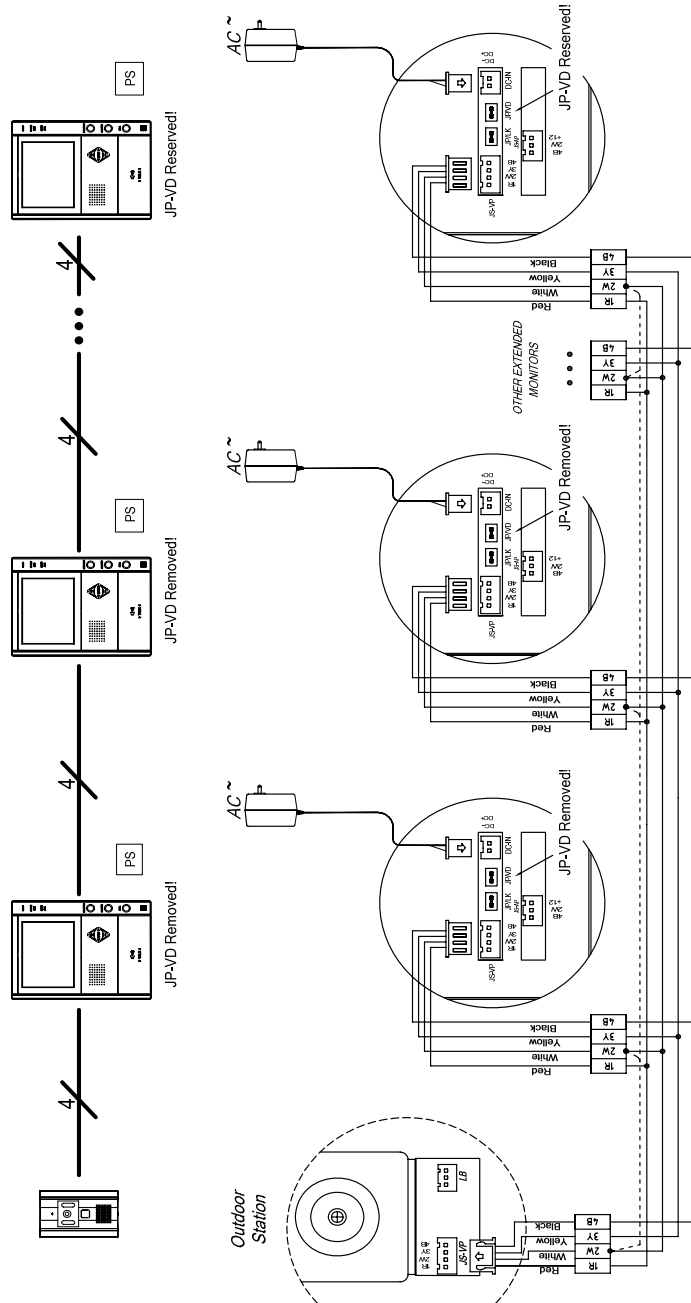
It's recommended to use **RVVP 4x0.3mm² Shielded Cable**. And when distance is over 30m, we suggest to use additional coaxial cable **SYV- 75-3 (RG-59)** connect **3Y** and **2W** pin.

4.2 Basic 1-1 system wiring drawing



- Note 1: JP-LVD is used for setting the video impedance. When there is only one Monitor, keep the jumper (which is already on JP-LVD). But when multi Monitors are installed, be sure of taking away all JP-LVD of Monitors except only the last Monitor.
- Note 2: LB includes 3 wiring Terminals: '1'-Normally Opened Terminal, '2'-Common Terminal, '3'- Normally Closed Terminal. If the latch is activated when powering, connect it between '1' and '2' terminal; if the latch is deactivated when powering, connect it between '2' and '3' terminal.
- Note 3: JP-LK is used for Latch selection, refer to Outdoor station Manual for Electronic Latch connecting parts.

4.3 Wiring Diagram of Extended Monitors (1 Door Station to N Monitors)



5. SPECIFICATIONS

- 1) Power supply for indoor monitor: DC 15~18V (supplied by Adaptor)
- 2) Power supply for Door Camera: DC 10~12V (Supplied by Indoor Monitor)
- 3) Power consumption: Standby 0.5W; Working status 15W (for kits)
- 4) Display screen: 5 Inch TFT-LCD (220,000 pixels)
- 5) Display Resolutions: 960(R, G, B) x 234 dots
- 6) Touch screen panel: digital IPO film keypad
- 7) Camera Lens: 3.6mm, 72 degree horizontal visual angle
- 8) Camera resolutions: >300 TV lines
- 9) Video signal: 1Vp-p, 75Ω, CCIR standard
- 10) Monitor time: 30 seconds
- 11) Talking time: 90 seconds
- 12) Connection mode: 4 wiring, polar
- 13) Dimensions: 166(W)×210(H)×22(D) mm

6. PRECAUTIONS

- 1) All parts should be protected from violence vibration or dropping.
- 2) Please do the cleanness with soft cotton cloth, please do not use the organic or chemical clean impregnate.
- 3) Image distortion may occur if the video door phone is mounted too close to magnetic field e. g. Microwaves, TV, computer etc.
- 4) Please keep away the video door monitor from wet, high temperature, dust, and caustic and oxidation gas in order to avoid any unpredictable damage.

7. TROUBLE SHOOTING

Phenomenon	Check points
No power	Is the power cord properly inserted in the AC outlet, or the AC is not supplied?
No sound and calling	Make sure that 4B is connected correctly.
No image visible	Is the Brightness or Color correctly adjusted? Make sure that 3Y is connected correctly.
No enough volume	Is the Ring or Talk Volume correctly adjusted?
The image isn't clear	Is the protect cover film on the Door Camera lens removed? Is the Brightness or Color correctly adjusted? Make sure the lens of outdoor camera is clean Make sure the JP-VD jumper is correctly set.